

# MEZZANINE PIVOT SAFETY GATES



## Pivot Mezzanine Safety Gate

The pivot safety gate is an off-the-shelf stock product solution for protecting employees in elevated mezzanine loading areas. The counterbalance action ensures it is easy to operate and stays in the position required.

It is easy to install, available for single or double pallet widths, and is easily assembled with basic hand tools.

Meets OSHA, IBC, and ANSI standards.

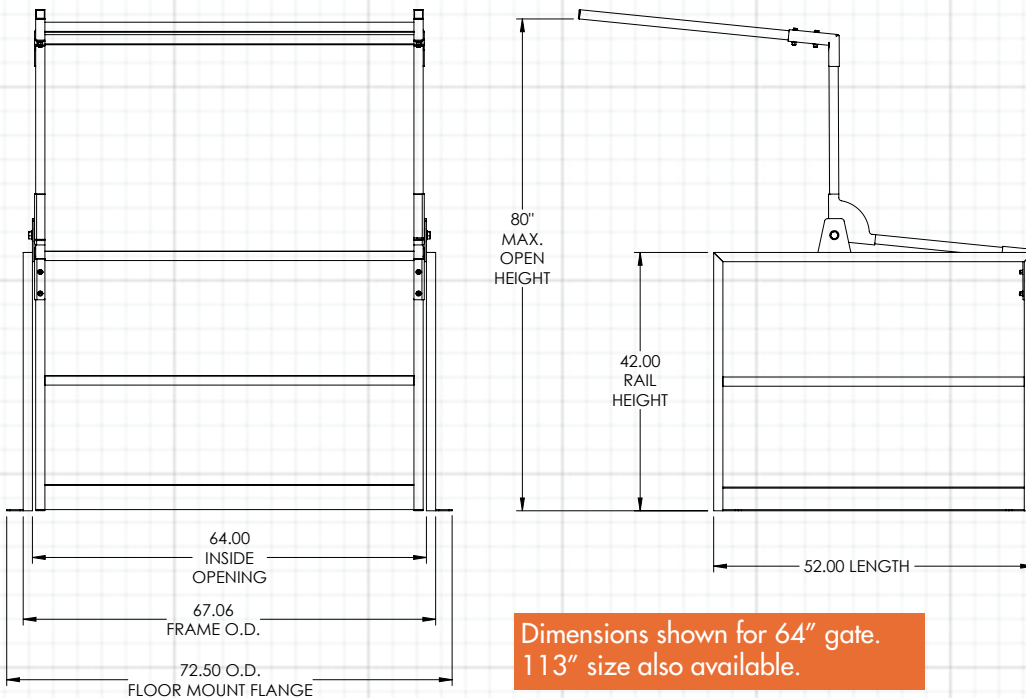
Standard finishes include powder-coated safety yellow or galvanized.

For applications where the pivot gate is not the best option we also offer a roll-up gate, a flip-down gate, a three-side gate, and other custom safety gates.

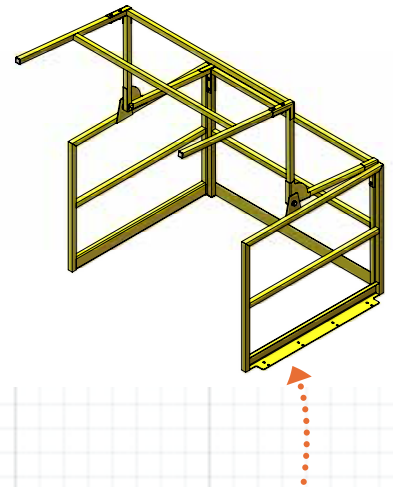


Pivot Mezzanine Gate	5' Opening	9' Opening
Powder-coated Finish	WSMZ14-64PC	WSMZ14-113PC
Galvanized Finish	WSMZ14-64	WSMZ14-113

## Detailed Dimensions



Custom sizes and widths are available upon request.



Easy Installation, assemble gate and anchor to floor.